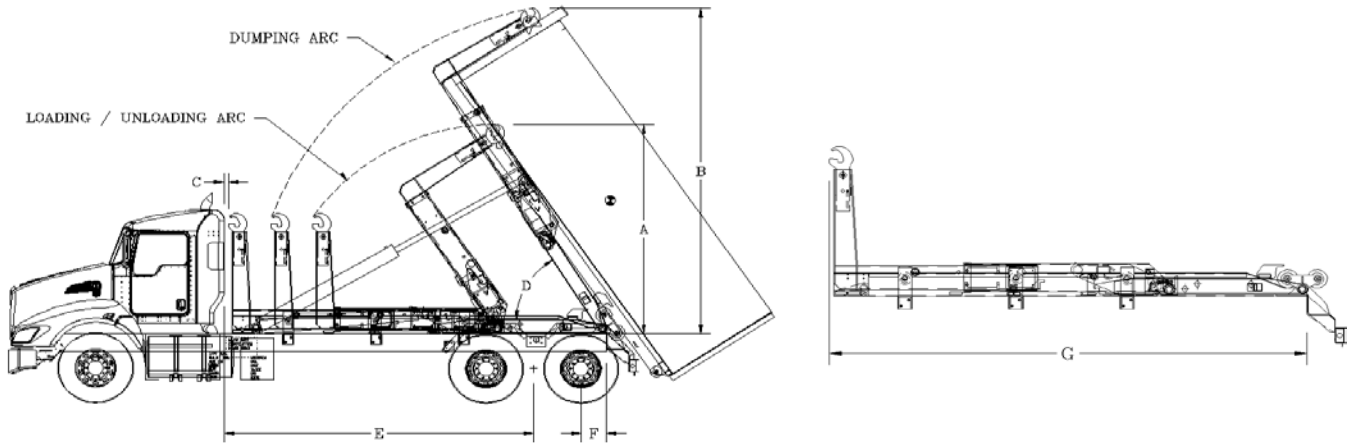


DOUBLE PIVOT HOOK HOIST DATASHEET

MODEL U4/U5-DPHK-176 & U4/U5-DPHK-200



HOIST MODELS	U4/5-DPHK-176		U4/5-DPHK-200	
* (A) MAXIMUM HOOK HEIGHT ABOVE TRUCK FRAME LOADING / UNLOADING	128 9/16"		128 9/16"	
* (B) MAXIMUM HOOK HEIGHT ABOVE TRUCK FRAME DUMPING	200"		208 3/4"	
(C) CAB TO HOIST	3"		3"	
(D) RAISED ANGLE	58°		49°	
(E) CAB TO AXLE	176"		200"	
(F) AFTER FRAME	14 1/2"		14 1/2"	
(G) HOIST LENGTH	215"		239"	
RATED CAPACITY	40,000 LBS (54" HK HT)	50,000 LBS (61 3/4" HK HT)	40,000 LBS (54" HK HT)	50,000 LBS (61 3/4" HK HT)
LIFT CYLINDERS	7" X 3 1/2" X 81"		7" X 3 1/2" X 81"	
JIB CYLINDER	4" X 2 1/2" X 48"		4" X 2 1/2" X 48"	
RECOMMENDED CONTAINER LENGTH	16 FT - 20 FT	22FT (3)	18 FT - 22 FT	24 FT (3)
APPROX. WEIGHT	6,839 LBS		7,483 LBS	

(1) FACTORY TESTED WITH RECOMMENDED CONTAINER LENGTH AND WATER LEVEL LOAD.

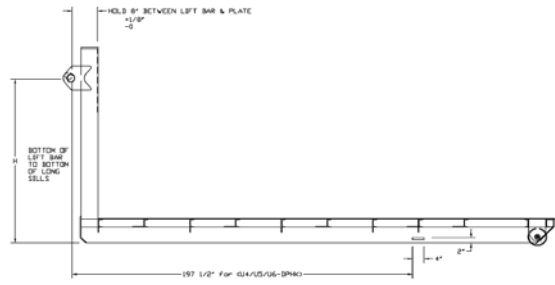
(2) WHEN RECOMMENDING CONTAINER LENGTHS; WEIGHT DISTRIBUTION, DUMP ANGLE, AND OVERHANG ARE FACTORS.

(3) NOTED CONTAINER LENGTHS WILL OVERHANG BETWEEN 24" AND UNDER 48". CONSULT SALES REPRESENTATIVE/ENGINEERING FOR ADDITIONAL DETAILS ON THIS TYPE OF SETUP

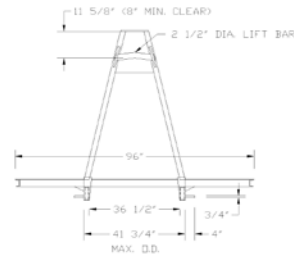
* TOTAL MAXIMUM HEIGHT WILL DEPEND ON CONTAINER. CONSULT ENGINEERING FOR CLEARANCE

MODEL U4/5-DPHK-176 & U4/5-DPHK-200

- CROSS MEMBERS - STRUCTURAL TUBING 62,000 LBS. MIN TENSILE A500 GRADE C
- MAIN FRAME - HSLA A572 65,000 LBS. MIN TENSILE
- JIB FRAME - A514 T-1 & STRUCTURAL TUBING A500 GRADE C
- PIVOT TUBE - A514 T-1 100,000 PSI MINIMUM YIELD
- PICKUP HOOK - A514 T-1 100,000 PSI MINIMUM YIELD
- LIFT CYLINDER SHAFTS - 2 3/4" SOLID (91,000 LB. TENSILE)
- HINGE SHAFT - 2 1/2" SOLID (91,000 LB. TENSILE)
- JIB BEARING - A514 T-1 100,000 PSI MINIMUM YIELD BAR
- OUTBOARD SUPPORTED UPPER LIFT SHAFT
- MECHANICAL INTERLOCK BETWEEN TAIL AND PIVOT ASSEMBLY
- OUTSIDE CONTROLS STANDARD
- STEEL FENDERS STANDARD
- FULL WIDTH BUMPER WITH RECESSED LED LIGHTS STANDARD
- RUBBER MOUNTED SEALED LIGHTS STANDARD
- INSIDE AIR OPERATED CONTROLS STANDARD
- ALL PIVOT JOINTS HAVE HARDENED STEEL BUSHINGS AND GREASE FITTINGS
- PAINTED BLACK



Container Dwg



HOIST MODELS	U4/5-DPHK-176	U4/5-DPHK-200
(H) HOOK HEIGHT	Adjustable to 54" or 61 3/4"	Adjustable to 54" or 61 3/4"



CYCLE TIMES AT APPROXIMATELY 37.5 GPM

EXTENDING DUMP - 43 SECONDS	EXTENDING JIB - 4 SECONDS
RETRACTING DUMP - 32 SECONDS	RETRACTING JIB - 3 SECONDS

HYDRAULIC SYSTEM

GEAR PUMP 37.5 GPM AT 1500 RPM RATED 4000 PSI DIRECT MOUNT
HYDRAULIC VALVE -OUTSIDE CONTROL LEVERS WITH PROPORTIONAL CONTROLS WITH AIR OPERATED
STEEL RESERVOIR WITH 10 MICRON AIR BREATHER, 3 MICRON IN TANK RETURN FILTER AND FILLER, SIGHT GAUGE WITH TEMPERATURE GAUGE
7" 4,000 PSI LIFTING CYLINDERS WITH BUILT-IN COUNTERBALANCE VALVES
4" 4,000 PSI JIB CYLINDER WITH BUILT-IN COUNTERBALANCE VALVE
OPERATING PRESSURE - 3500 PSI

MINIMUM TRUCK SPECIFICATIONS

FRONT AXLE: 18,000 LBS (WITH POWER STEERING)
REAR AXLE: 44,000 LBS
50,000 PSI CHASSIS TRUCK FRAME OR MORE: MINIMUM SECTIONS MODULUS - 24 IN³