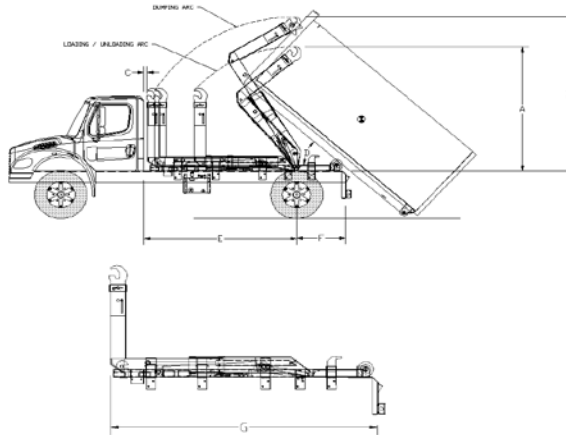


SINGLE PIVOT HOOK HOIST DATASHEET

MODEL U30-HK-138 156 176



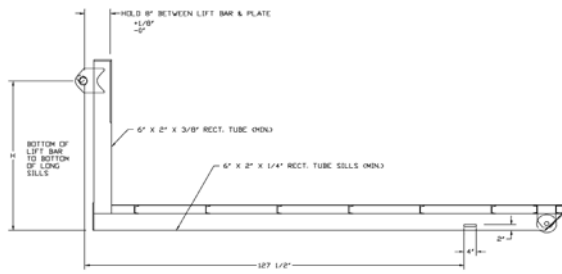
HOIST MODELS	U30-HK-138		U30-HK-156		U30-HK-176
* (A) MAXIMUM HOOK HEIGHT ABOVE TRUCK FRAME LOADING / UNLOADING	119 3/16"		119 3/16"		119 3/16"
* (B) MAXIMUM HOOK HEIGHT ABOVE TRUCK FRAME DUMPING	156 3/16"		156 3/16"		156 3/16"
(C) CAB TO HOIST	3 1/2"		3 1/2"		3 1/2"
(D) DUMP ANGLE	12'-	14'-	14'-	16'-	38°
(E) CAB TO AXLE	138"		156"		176"
(F) AFTER FRAME	44 3/4"	68 3/4"	50 3/4"		54 3/4"
(G) HOIST LENGTH	179 3/16"		203 3/8"		227 3/8"
** (H) TRUCK FRAME HEIGHT	50 1/4" OR LESS				
RATED CAPACITY	30,000 LBS		30,000 LBS		30,000 LBS
LIFT CYLINDERS	5" X 3" X 52		5" X 3" X 52		5" X 3" X 52
JIB CYLINDER	3" X 2" X 37		3" X 2" X 37		3" X 2" X 37
RECOMMENDED CONTAINER LENGTH	12' - 16'	14'-18'	14' - 18'	16' - 20'	16' - 20'
APPROX. WEIGHT	3,719 LBS		3,719 LBS		3,719 LBS

- (1) FACTORY TESTED WITH RECOMMENDED CONTAINER LENGTH AND WATER LEVEL LOAD.
 (2) WHEN RECOMMENDING CONTAINER LENGTHS; WEIGHT DISTRIBUTION, DUMP ANGLE, AND OVERHANG ARE FACTORS.
 (3) NOTED CONTAINER LENGTHS WILL OVERHANG BETWEEN 24" AND UNDER 48". CONSULT SALES REPRESENTATIVE/ENGINEERING FOR ADDITIONAL DETAILS ON THIS TYPE OF SETUP

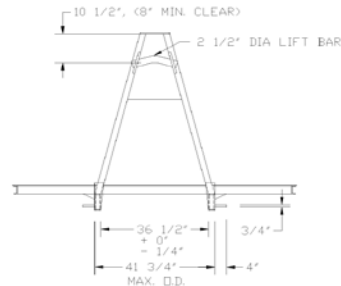
* TOTAL MAXIMUM HEIGHT WILL DEPEND ON CONTAINER. CONSULT ENGINEERING FOR CLEARANCE
 ** CONSULT ENGINEERING FOR BEST CONFIGURATION

MODEL U30-HK-138/156/176

- CROSS MEMBERS - STRUCTURAL TUBING 62,000 LBS. MIN TENSILE A500 GRADE C
- MAIN FRAME - STRUCTURAL TUBING 62,000 LBS. MIN TENSILE A500 GRADE C
- JIB FRAME - A514 T-1 & STRUCTURAL TUBING A500 GRADE C
- PIVOT TUBE - A514 T-1 & STRUCTURAL TUBING A500 GRADE C
- PICKUP HOOK - A514 T-1 100,000 PSI MINIMUM YIELD
- LIFT CYLINDER SHAFTS - 1 1/2" SOLID (64,000 LB. TENSILE MIN)
- HINGE SHAFT - 2" SOLID (64,000 LB. TENSILE)
- JIB BEARING - A514 T-1 100,000 PSI MINIMUM YIELD BAR
- OUTBOARD SUPPORTED UPPER LIFT SHAFT
- MECHANICAL INTERLOCK BETWEEN TAIL AND PIVOT ASSEMBLY
- OUTSIDE CONTROLS STANDARD
- OPTIONAL FENDERS AVAILABLE
- FULL WIDTH BUMPER WITH RECESSED LED LIGHTS STANDARD
- RUBBER MOUNTED SEALED LIGHTS STANDARD
- INSIDE AIR OPERATED CONTROLS STANDARD
- ALL PIVOT JOINTS HAVE HARDENED STEEL BUSHINGS AND GREASE FITTINGS
- PAINTED BLACK



Insert Container D



HOIST MODELS	U30-HK-138	U30-HK-156	U30-HK-176
(H) HOOK HEIGHT	54"	54"	54"



CYCLE TIMES AT APPROXIMATELY 37.5 GPM

EXTENDING DUMP - 31 SECONDS

EXTENDING JIB - 4 SECONDS

RETRACTING DUMP - 20 SECONDS

RETRACTING JIB - 3 SECONDS

HYDRAULIC SYSTEM

GEAR PUMP 17.5 GPM AT 1500 RPM DIRECT MOUNT

HYDRAULIC VALVE -OUTSIDE CONTROL LEVERS WITH PROPORTIONAL CONTROLS WITH AIR OPERATED

STEEL RESERVOIR WITH 10 MICRON AIR BREATHER, 3 MICRON IN TANK RETURN FILTER AND FILLER, SIGHT GAUGE WITH TEMPERATURE GAUGE

5" 4,000 PSI LIFTING CYLINDERS WITH BUILT-IN COUNTERBALANCE VALVES

3" 4,000 PSI JIB CYLINDER WITH BUILT-IN COUNTERBALANCE VALVE

OPERATING PRESSURE - 3800 PSI

MINIMUM TRUCK SPECIFICATIONS

FRONT AXLE: 8,000 LBS (WITH POWER STEERING)

REAR AXLE: 18,000 LBS

50,000 PSI CHASSIS TRUCK FRAME OR MORE: MINIMUM SECTIONS MODULUS - 15.5 IN³