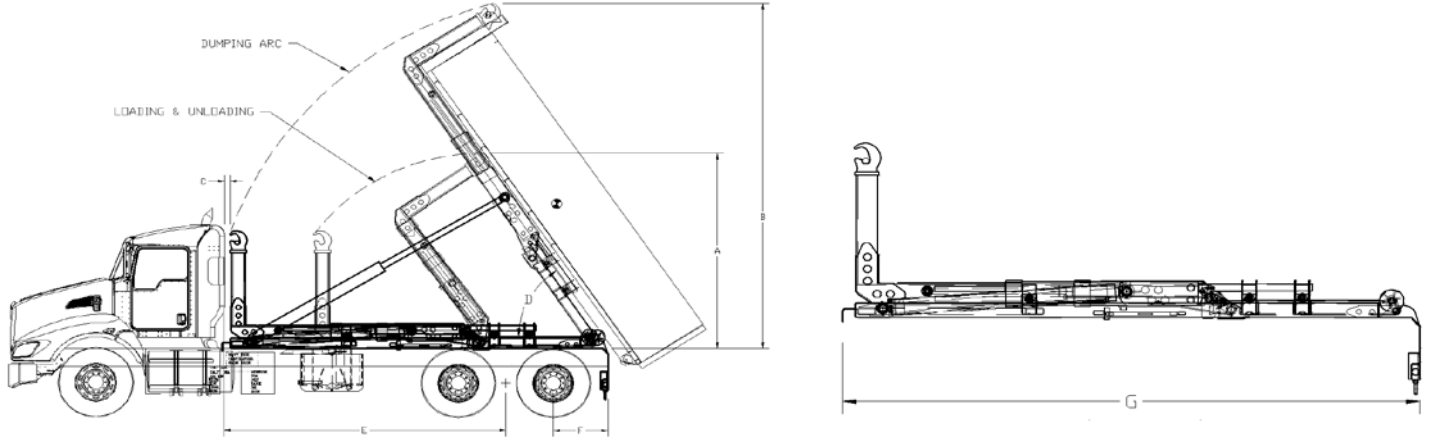


DOUBLE PIVOT HOOK HOIST DATASHEET

MODEL U3-DPHK-160 & U3-DPHK-176



HOIST MODELS	U3-DPHK-160 (Tandem Axle)	U3-DPHK-176 (Single Axle)
* (A) MAXIMUM HOOK HEIGHT ABOVE TRUCK FRAME LOADING / UNLOADING	120 5/16"	120 5/16"
* (B) MAXIMUM HOOK HEIGHT ABOVE TRUCK FRAME DUMPING	212 3/8"	212 3/8"
(C) CAB TO HOIST	3"	3"
(D) RAISED ANGLE	56°	56°
(E) CAB TO AXLE	160 5/8" (Center of Tandem Axles)	176" (Center of Single Axle)
(F) AFTER FRAME	31"	42"
(G) HOIST LENGTH	219 1/2"	219 1/2"
RATED CAPACITY	30,000 LBS	30,000 LBS
LIFT CYLINDERS	6" X 3 1/2" X 78"	6" X 3 1/2" X 78"
JIB CYLINDER	4" X 2 1/2" X 48"	4" X 2 1/2" X 48"
RECOMMENDED CONTAINER LENGTH	14 FT - 18 FT	14 FT - 18 FT
APPROX. WEIGHT	5,630 LBS	5,630 LBS

- (1) FACTORY TESTED WITH RECOMMENDED CONTAINER LENGTH AND WATER LEVEL LOAD.
 (2) WHEN RECOMMENDING CONTAINER LENGTHS; WEIGHT DISTRIBUTION, DUMP ANGLE, AND OVERHANG ARE FACTORS.
 (3) NOTED CONTAINER LENGTHS WILL OVERHANG BETWEEN 24" AND UNDER 48". CONSULT SALES REPRESENTATIVE/ENGINEERING FOR ADDITIONAL DETAILS ON THIS TYPE OF SETUP

* TOTAL MAXIMUM HEIGHT WILL DEPEND ON CONTAINER. CONSULT ENGINEERING FOR CLEARANCE

MODEL U3-DPHK-160 & U3-DPHK-176

CROSS MEMBERS - STRUCTURAL TUBING 62,000 LBS. MIN TENSILE A500 GRADE C

MAIN FRAME - HSLA A572 65,000 LBS. MIN TENSILE

JIB FRAME - A514 T-1 & STRUCTURAL TUBING A500 GRADE C

PIVOT TUBE - A514 T-1 100,000 PSI MINIMUM YIELD

PICKUP HOOK - A514 T-1 100,000 PSI MINIMUM YIELD

LIFT CYLINDER SHAFTS - 2 3/4" SOLID (64,000 LB. TENSILE)

HINGE SHAFT - 2" SOLID (64,000 LB. TENSILE)

JIB BEARING - A514 T-1 100,000 PSI MINIMUM YIELD BAR

OUTBOARD SUPPORTED UPPER LIFT SHAFT

MECHANICAL INTERLOCK BETWEEN TAIL AND PIVOT ASSEMBLY

OUTSIDE CONTROLS STANDARD

STEEL FENDERS STANDARD

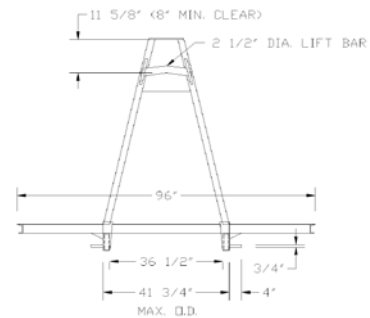
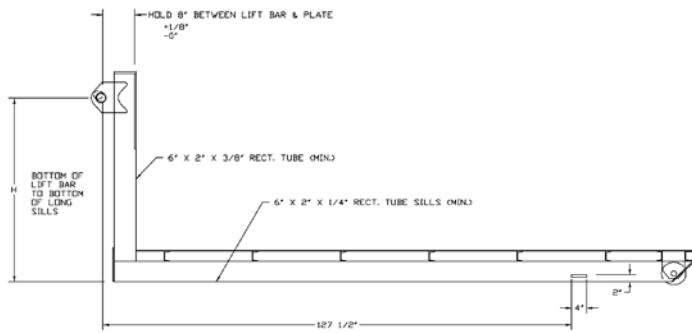
FULL WIDTH BUMPER WITH RECESSED LED LIGHTS STANDARD

RUBBER MOUNTED SEALED LIGHTS STANDARD

INSIDE AIR OPERATED CONTROLS STANDARD

ALL PIVOT JOINTS HAVE HARDENED STEEL BUSHINGS AND GREASE FITTINGS

PAINTED BLACK



HOIST MODELS	U3-DPHK-160	U3-DPHK-176
(H) HOOK HEIGHT	54"	54"



CYCLE TIMES AT APPROXIMATELY 37.5 GPM

EXTENDING DUMP - 31 SECONDS
RETRACTING DUMP - 21 SECONDS

EXTENDING JIB - 5 SECONDS
RETRACTING JIB - 3 SECONDS

HYDRAULIC SYSTEM

GEAR PUMP 37.5 GPM AT 1500 RPM RATED 4000 PSI DIRECT MOUNT

HYDRAULIC VALVE -OUTSIDE CONTROL LEVERS WITH PROPORTIONAL CONTROLS WITH AIR OPERATED

STEEL RESERVOIR WITH 10 MICRON AIR BREATHER, 3 MICRON IN TANK RETURN FILTER AND FILLER, SIGHT GAUGE WITH TEMPERATURE GAUGE

6" 4,000 PSI LIFTING CYLINDERS WITH BUILT-IN COUNTERBALANCE VALVES

4" 4,000 PSI JIB CYLINDER WITH BUILT-IN COUNTERBALANCE VALVE

OPERATING PRESSURE - 3800 PSI

MINIMUM TRUCK SPECIFICATIONS

FRONT AXLE: 12,000 LBS (WITH POWER STEERING)

REAR AXLE: 26,000 LBS

50,000 PSI CHASSIS TRUCK FRAME OR MORE: MINIMUM SECTIONS MODULUS - 17.5 IN³