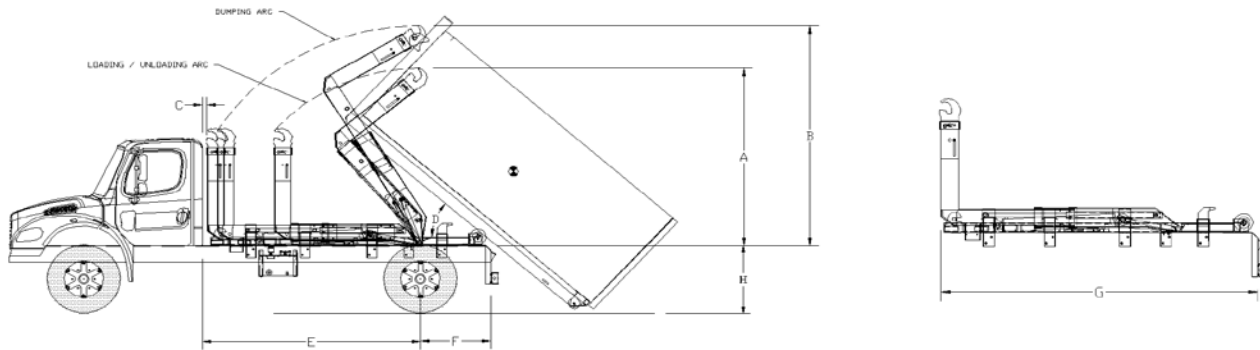


## SINGLE PIVOT HOOK HOIST DATASHEET

MODEL U20-HK-120 132 144



HOIST MODELS	U20-HK-120		U20-HK-132	U20-HK-144
* (A) MAXIMUM HOOK HEIGHT ABOVE TRUCK FRAME LOADING / UNLOADING	106"		106"	106"
* (B) MAXIMUM HOOK HEIGHT ABOVE TRUCK FRAME DUMPING	131 5/8"		131 5/8"	131 5/8"
(C) CAB TO HOIST	2 1/4"		2 1/4"	2 1/4"
(D) DUMP ANGLE	10°-56° / 12°-56° / 14°-42°	12°-49° / 14°-42° / 16°-35°	12°-50° / 14°-42° / 16°-35°	12°-49° / 14°-42° / 16°-35°
(E) CAB TO AXLE	120"		132"	144"
(F) AFTER FRAME	38 1/2"	62 1/2"	50 1/2"	38 1/2"
(G) HOIST LENGTH	155 5/8"		179 5/16"	179 5/16"
** (H TRUCK FRAME HEIGHT)	51 3/4" OR LESS		51 3/4" OR LESS	51 3/4" OR LESS
RATED CAPACITY	20,000 LBS		20,000 LBS	20,000 LBS
LIFT CYLINDERS	5" X 3" X 52		5" X 3" X 52	5" X 3" X 52
JIB CYLINDER	3" X 2" X 37		3" X 2" X 37	3" X 2" X 37
RECOMMENDED CONTAINER LENGTH	10' - 14'	12'-16'	12' - 16'	12' - 16'
APPROX. WEIGHT	3,719 LBS		3,719 LBS	3,719 LBS

- (1) FACTORY TESTED WITH RECOMMENDED CONTAINER LENGTH AND WATER LEVEL LOAD.  
 (2) WHEN RECOMMENDING CONTAINER LENGTHS; WEIGHT DISTRIBUTION, DUMP ANGLE, AND OVERHANG ARE FACTORS.  
 (3) NOTED CONTAINER LENGTHS WILL OVERHANG BETWEEN 24" AND UNDER 48". CONSULT SALES REPRESENTATIVE/ENGINEERING FOR ADDITIONAL DETAILS ON THIS TYPE OF SETUP

\* TOTAL MAXIMUM HEIGHT WILL DEPEND ON CONTAINER. CONSULT ENGINEERING FOR CLEARANCE  
 \*\* CONSULT ENGINEERING FOR BEST CONFIGURATION

**MODEL U20-HK-120/132/144**

CROSS MEMBERS - STRUCTURAL TUBING 62,000 LBS. MIN TENSILE A500 GRADE C

MAIN FRAME - STRUCTURAL TUBING 62,000 LBS. MIN TENSILE A500 GRADE C

JIB FRAME - A514 T-1 & STRUCTURAL TUBING A500 GRADE C

PIVOT TUBE - A514 T-1 & STRUCTURAL TUBING A500 GRADE C

PICKUP HOOK - A514 T-1 100,000 PSI MINIMUM YIELD

LIFT CYLINDER SHAFTS - 1 1/2" SOLID ( 64,000 LB. TENSILE MIN )

HINGE SHAFT - 2" SOLID (64,000 LB. TENSILE)

JIB BEARING - A514 T-1 100,000 PSI MINIMUM YIELD BAR

OUTBOARD SUPPORTED UPPER LIFT SHAFT

MECHANICAL INTERLOCK BETWEEN TAIL AND PIVOT ASSEMBLY

OUTSIDE CONTROLS STANDARD

OPTIONAL FENDERS AVAILABLE

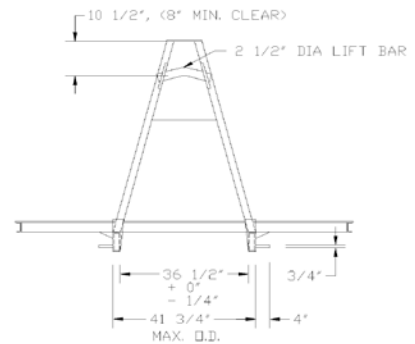
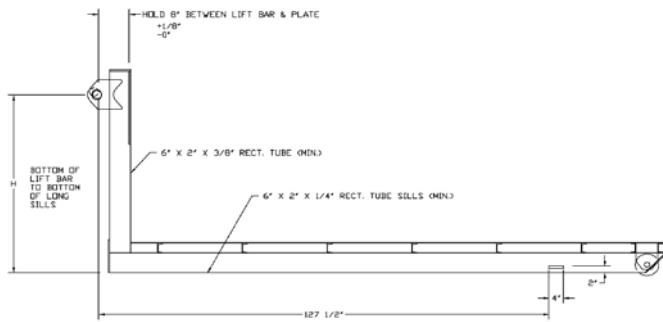
FULL WIDTH BUMPER WITH RECESSED LED LIGHTS STANDARD

RUBBER MOUNTED SEALED LIGHTS STANDARD

INSIDE AIR OPERATED CONTROLS STANDARD

ALL PIVOT JOINTS HAVE HARDENED STEEL BUSHINGS AND GREASE FITTINGS

PAINTED BLACK



HOIST MODELS	U20-HK-120	U20-HK-132	U20-HK-144
(H) HOOK HEIGHT	54"	54"	54"



**CYCLE TIMES AT APPROXIMATELY 37.5 GPM**

EXTENDING DUMP - 30 SECONDS

EXTENDING JIB - 4 SECONDS

RETRACTING DUMP - 19 SECONDS

RETRACTING JIB - 2 32SECONDS

**HYDRAULIC SYSTEM**

GEAR PUMP 17.5 GPM AT 1500 RPM DIRECT MOUNT

HYDRAULIC VALVE -OUTSIDE CONTROL LEVERS WITH PROPORTIONAL CONTROLS WITH AIR OPERATED

STEEL RESERVOIR WITH 10 MICRON AIR BREATHER, 3 MICRON IN TANK RETURN FILTER AND FILLER, SIGHT GAUGE WITH TEMPERATURE GAUGE

5" 4,000 PSI LIFTING CYLINDERS WITH BUILT-IN COUNTERBALANCE VALVES

3" 4,000 PSI JIB CYLINDER WITH BUILT-IN COUNTERBALANCE VALVE

OPERATING PRESSURE - 3800 PSI

**MINIMUM TRUCK SPECIFICATIONS**

FRONT AXLE: 8,000 LBS (WITH POWER STEERING)

REAR AXLE: 18,000 LBS

50,000 PSI CHASSIS TRUCK FRAME OR MORE: MINIMUM SECTIONS MODULUS - 15.5 IN<sup>3</sup>