



## HH SERIES

Deadlift hoists are ideal for use in metropolitan areas where space is at a premium. The HH series requires no ICC bumper and shorter containers (20') are used on all hoist models.

» **30,000 to 50,000 lb. capacity**

» **Single and tandem axle**

## HH SERIES

## STANDARD FEATURES

### Ease of operation

- Centered cab-mount Power Tower
- Plug n' Play wiring system
- Pintle ready rear aprons
- Standard inside air control

### Safety

- Automatic front container spring-loaded locking system and rear container hold-downs
- Heavy-duty safety props
- Backup alarm and hoist up alarm with signal light on dash
- Optional hoist up speed-limiting parameters

\* **Factory mount models**

### Durability

- 3 micron filtration system with dual viscosity oil
- Two part epoxy primer and paint\*
- Field tested heavy duty rear hinge
- Hoist frames are huck bolted to chassis\*
- Shock-absorbing sub-frame
- Oil reservoir is filter cart ready
- LED lighting
- Lifetime warranty on frame and two-year warranty on hydraulics

### Quality

- Lean manufacturing process, along with engineering, solid modeling and stress analysis testing, ensure quality, consistent product every time
- Customized engineering layouts are created based on customers' chassis to ensure compatibility

## AVAILABLE OPTIONS

- Reverse cylinder mount
- Pintle hook applications
- Various fender selections
- Auxiliary hydraulic hook-ups
- Scale systems
- Pioneer Rack 'n Pinion tarping systems

# GALBREATH QUALITY

## Standard Features



3 micron (pictured at right) filtration system with dual viscosity oil reduces contamination, required maintenance and down time



Automatic front container spring-loaded locking system and rear container hold-downs help ensure container remains in place



"Plug n' Play" wiring system eliminates crossed wires, loose connections, corrosion and splices; allows for easy light replacement



Hoist frames are huck bolted to chassis, providing unmatched strength and durability (factory mount only)



Oil reservoir is filter cart ready, reducing maintenance costs

## Available Options

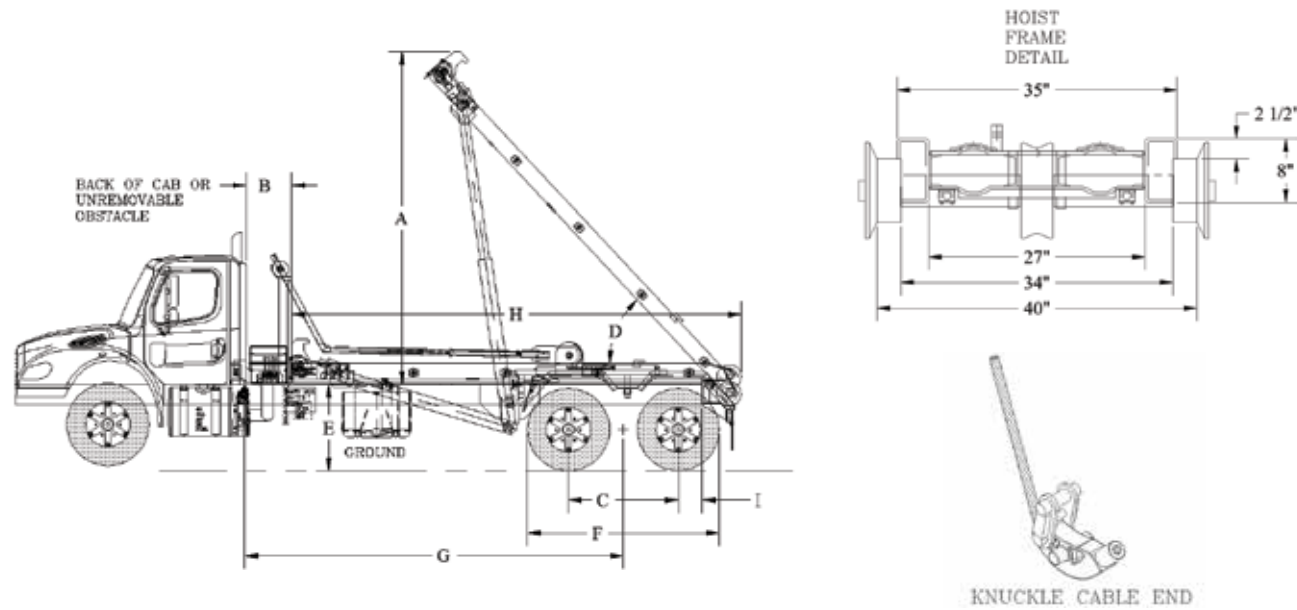


Pintle ready rear aprons allow for the addition of a pintle hook and easy upgrade to a trailer package



Optional rear ratchet straps on all cable models

# SPECIFICATIONS



## Notes for chart below:

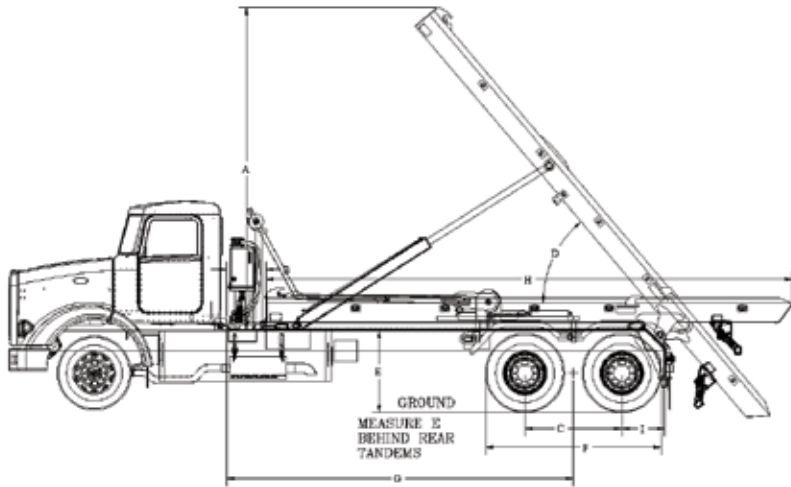
- 1 When recommending container lengths, weight distribution, fender interference and overhang are factors
- 2 Factory tested with recommended container length and water level load
- 3 Frame = top of truck chassis frame
- 4 This distance does not allow for a behind-the-cab oil reservoir, tarper platform and room to add a tarper. Must add distance for these items
- 5 Using 22.5" tires only. For larger tires, consult representative
- 6 Depends on rear apron style. Contact engineering

FEATURES	SINGLE AXLE	TANDEM AXLE
<b>Hoist frame</b>	8" x 4" x 1/2" A500 grade C tubing	8" x 4" x 1/2" A500 grade C tubing
<b>Subframe</b>	3" x 2" x 3/16" A500 grade C tubing	3" x 2" x 3/16" A500 grade C tubing
<b>Front stop</b>	1" plate steel	1" plate steel
<b>Front safety lock</b>	Automatic spring loaded	Automatic spring loaded
<b>Hinge shaft</b>	1 15/16" solid steel	2 1/2" solid steel
<b>Cable anchors</b>	4 cable clamps	4 cable clamps
<b>Cable end</b>	Swaged end with swivel knuckle hook	Swaged end with swivel knuckle hook
<b>Rear hold downs</b>	1 1/4" plate located for standard Wastequip containers	1 1/4" plate located for standard Wastequip containers
<b>Operating pressure</b>	1,850 psi	1,850 psi
<b>Hydraulic pump</b>	Gear type 35 gpm @ 1,500 rpm	Gear type 35 gpm @ 1,500 rpm
<b>Hydraulic valve</b>	2 spool / 65 gpm with safety bypass	2 spool / 65 gpm with safety bypass
<b>Oil reservoir</b>	50 gallon with filter and screen fill	50 gallon with filter and screen fill
<b>Outside rollers</b>	8" OD with 4" wide bronze bearings	8" OD with 4" wide bronze bearings
<b>Cable sheaves</b>	10" OD with bronze bearings	10" OD with bronze bearings
<b>Working points</b>	Greasable	Greasable
<b>Chassis front axle</b>	9,000 (min.) capacity with power steering	18,000 (min.) capacity with power steering
<b>Chassis rear axle</b>	22,400 lbs. capacity (min.)	44,000 lbs. capacity (min.)
<b>Frame modulus</b>	50,000 PSI or more chassis frames - minimum section modulus = 17.5 in <sup>3</sup>	50,000 PSI or more chassis frames - minimum section modulus = 24 in <sup>3</sup>
<b>Torque required</b>	103 foot pounds of torque	248 foot pounds of torque

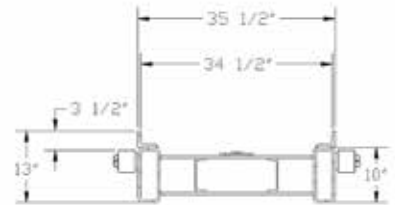
	U3-HH-138	U4-HH-156	U5-HH-156	U4-HH-174	U5-HH-174	UT-HH-174	U5-HH-194	UT-HH-194	UM-HH-194
<b>FEATURE</b>	<b>SINGLE AXLE</b>	<b>TANDEM AXLE</b>	<b>TANDEM AXLE</b>	<b>TANDEM AXLE</b>	<b>TANDEM AXLE</b>	<b>TANDEM AXLE</b>	<b>TANDEM AXLE</b>	<b>TANDEM AXLE</b>	<b>TANDEM AXLE</b>
<b>Recommended container size<sup>1</sup></b>	14'-18'	16'-18'	16'-18'	18'-20'	18'-20'	18'-20'	20'-22'	20'-22'	20'-22'
<b>Rated capacity<sup>2</sup></b>	30,000 lbs.	40,000 lbs.	50,000 lbs.	40,000 lbs.	50,000 lbs.	50,000 lbs.	50,000 lbs.	50,000 lbs.	50,000 lbs.
<b>A - Height above truck frame<sup>3</sup></b>	147"	153"	166"	166"	166"	168"	185"	183"	184"
<b>B - Back of cab to hoist<sup>4</sup></b> (add 12" for tarper or hard plumbing)	6"	6"	6"	6"	6"	6"	6"	6"	6"
<b>C - Axle spread</b>	n/a	51-55"	51-55"	51-55"	51-55"	51-55"	51-55"	51-55"	51-55"
<b>D - Raised dump angle</b>	51°	48°	48°	47°	48°	48°	48°	48°	48°
<b>E - Top of truck frame to ground<sup>3,5</sup></b>	41"	40-46"	40-46"	40-46"	40-46"	40-46"	40-46"	40-46"	40-46"
<b>F - Tire OD to OD</b>	n/a	96" max	96" max	96" max	96" max	96" max	96" max	96" max	96" max
<b>G - Cab to Trunnion (CT)</b> (add 12" for tarper or hard plumbing)	138"	156"	156"	174"	174"	174"	194"	194"	194"
<b>H - Hoist length</b>	187"	208"	208"	226"	226"	226"	245"	245"	245"
<b>I - After frame<sup>6</sup></b> Add 2" for air ride	41"	12"	12"	12-25"	12-25"	12-25"	12-25"	12-25"	12-25"
<b>Lift cylinders</b> DA = double acting DAT = double acting telescopic	5" x 3" x 54" DA	6" x 4 1/2" x 72" DA	6" x 4 1/2" x 72" DA	6" x 4 1/2" x 72" DA	6" x 4 1/2" x 72" DA	6-5-4" X 118" DAT	6-5" x 114" DAT	6-5-4" X 118" DAT	6-5" X 79" DAT
<b>Lift cylinders shaft</b>	1 1/2" solid	2 1/2" solid	2 1/2" solid	2 1/2" solid	2 1/2" solid	2 1/2" solid	2 1/2" solid	2 1/2" solid	2 1/2" solid
<b>Winch cylinders</b> DA = double acting	5" x 3" x 66" DA	6" x 3" x 75" DA	7" x 3" x 75" DA	6" x 3" x 80" DA	7" x 3" x 80" DA	7" x 3" x 80" DA	7" x 3" x 80" DA	7" x 3" x 80" DA	7" x 3" x 80" DA
<b>Approx. weight with standard features</b>	4,300 lbs.	5,650 lbs.	6,102 lbs.	5,764 lbs.	6,489 lbs.	6,527 lbs.	7,756 lbs.	7,756 lbs.	6,683 lbs.

# HOIST DRAWINGS

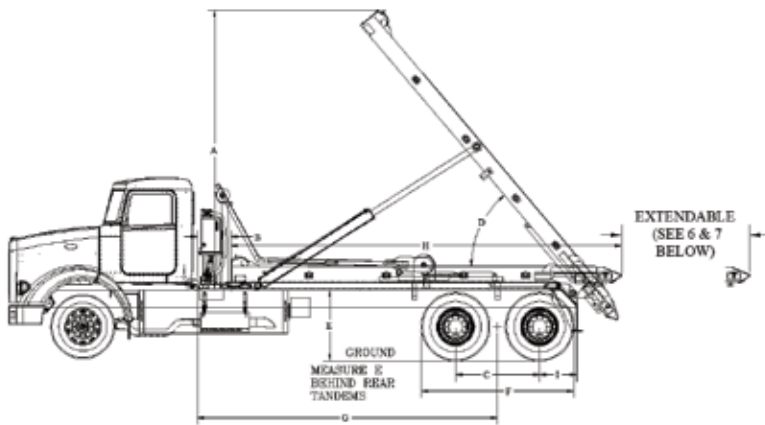
## IO Series



HOIST  
FRAME DETAIL

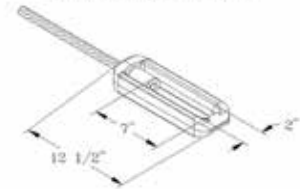


## EX Series

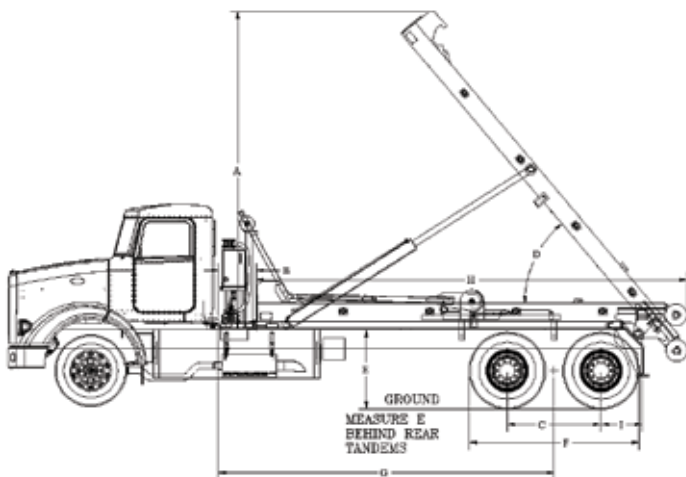


HOIST  
FRAME DETAIL

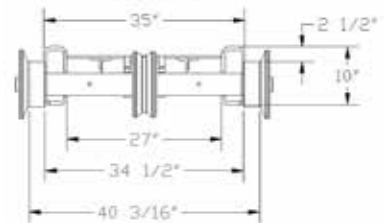
SWIVEL CABLE END



## HH Series



HOIST  
FRAME DETAIL



KNUCKLE CABLE END

# AVAILABLE OPTIONS

- Reverse cylinder mount
- Pintle hook applications
- Various fender selections
- Auxiliary hydraulic hook-ups
- Scale systems
- Pioneer Rack 'n Pinion tarping systems

# TRUCK SPECIFICATIONS

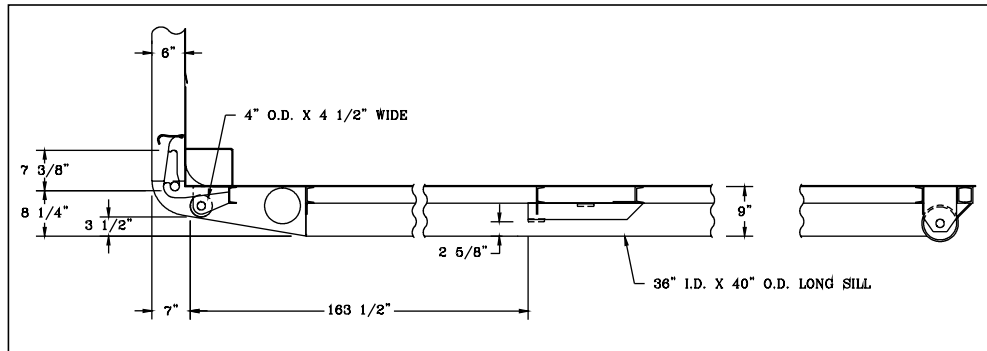
## Single axle:

- Front axle: 9,000 lbs. (min.) capacity
- Rear axle: 22,400 lbs. (min.) capacity
- 36,000 psi chassis frames
- Minimum section modulus = 24.3 in.<sup>3</sup>
- 50,000 psi or more chassis frames
- Minimum section modulus = 17.5 in.<sup>3</sup>

## Tandem axle:

- Front axle: 18,000 lbs. (min.) capacity
- Rear axle: 44,000 lbs. (min.) capacity
- 36,000 psi chassis frames
- Minimum section modulus = 33 in.<sup>3</sup>
- 50,000 psi or more chassis frames
- Minimum section modulus = 24 in.<sup>3</sup>

# CONTAINER REQUIREMENTS



DIMENSION "X"*								
CONTAINER LENGTHS								
MODEL	12 ft.	13 ft.	14 ft.	15 ft.	16 ft.	17 ft.	18 ft.	19 ft. +
All (except U2-EX/IO/OR-138 & U3-EX/IO/OR-156)	Additional info. needed	145 1/2"	145 1/2"	149"	149"	173"	173"	191"
U2-EX/IO/OR-138	Length not recommended	Length not recommended	149"	173"	158"	158"	158"	Length not recommended
U3-EX/IO/OR-156	Length not recommended	Length not recommended	149"	173"	158"	158"	158"	Length not recommended

\* Dimension "X" is center of rail roller to front of rear hold down

NOTE: Tolerance for all models is +1" / -0" except where container lengths are not recommended or where more information is required.



Tel: 800.285.0666 | sales@wastequip.com | www.wastequip.com

Wastequip is the leading North American manufacturer of waste and recycling equipment for collecting, processing and transporting recyclables and solid or liquid waste. September 2012 © Wastequip, all rights reserved. Specifications subject to improvement without notice. Equipment displayed should be operated by properly trained personnel. Operators should become familiar with OSHA, ANSI and any other applicable standards or laws for using this equipment. Improper use, misuse, or lack of maintenance could cause injury to people and/or property. Photos used in the literature are illustrative only. We assume no liability or responsibility for proper training/operation of equipment not manufactured by Wastequip. We reserve the right to make changes at any time without notice. Information contained within this literature is intended to be the most accurate available at time of printing.