

BRANDFX
B O D Y C O M P A N Y



Standard Topper & WORKPoD Specifications

FIBERGLASS WORK TOPPERS - STANDARD HEIGHT MODELS

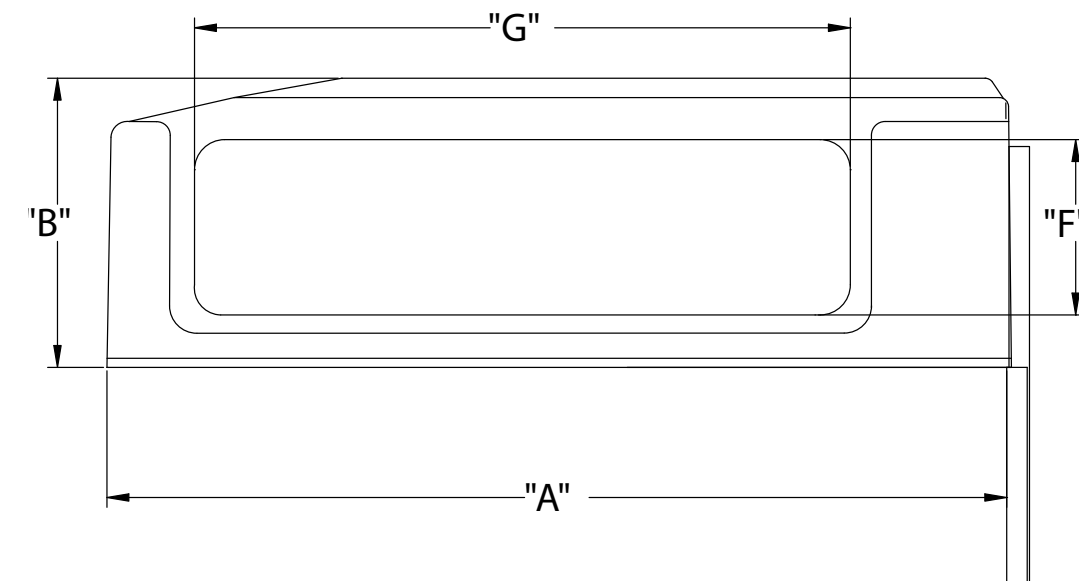
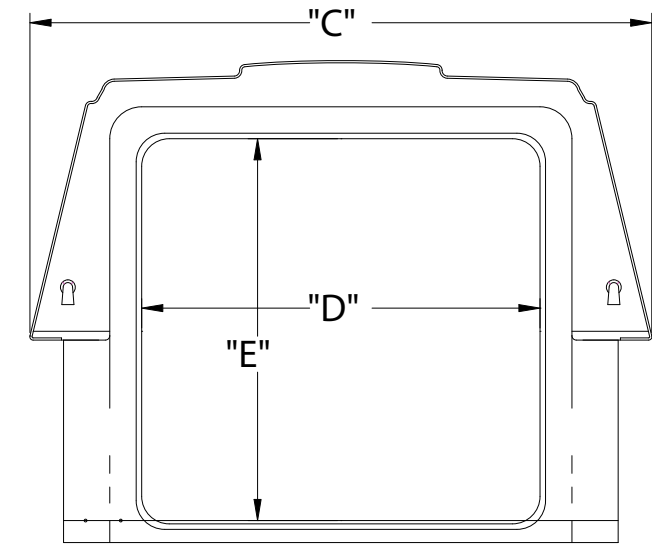


Standard Features Included in Base	
Automotive Grade White Gelcoat Finish	Flow through ventilation system
Stainless Steel 3 Point D-Ring Latches	High Mount Brake Light
Lock Cylinders codable to match Truck locks	Mounting Kit with Instructions
Stainless Steel Door Hinges	Double Rear Doors
Stainless Steel Hardware Throughout	Plug In Style Rear Door Holders
One Piece molded doors, Automotive finish both sides	Stainless Steel Grab Handle above Rear Doors
Recessed Door Seal System	Lift Up Side Doors - Both Sides
Automotive Grade Door Gasket	Gas Prop Door Retainer on Side Doors
Pull Down Strap on Lift up Side Doors	Provisions for addition of Flex Glo lighting in side Compartments
Aluminum Drip Rails above Side Doors	Additional wires available for strobe, work lights, Camera Etc.
Provisions for addition of interior Dome Lights	Protected Electrical Wiring
Flat Interior Floor	

FIBERGLASS WORK TOPPERS - STANDARD HEIGHT MODELS

BrandFX Toppers are made from advanced, lightweight FX Composite and fit all popular Chevrolet, Dodge, Ford, and GMC pickup models and bed sizes. FX Toppers are designed for easy removal and offers shelving, drawer, cabinet, and lighting options. (See Options Section)

With an FX Topper, you get the strength and durability of a steel topper that weighs considerably less than steel or aluminum. That translates to less fuel consumed — or the ability to haul more tools and equipment. FX Composite construction also provides worry-free, rust-free performance for the life of your vehicle. It won't warp, dent, weaken from fatigue or need painting.

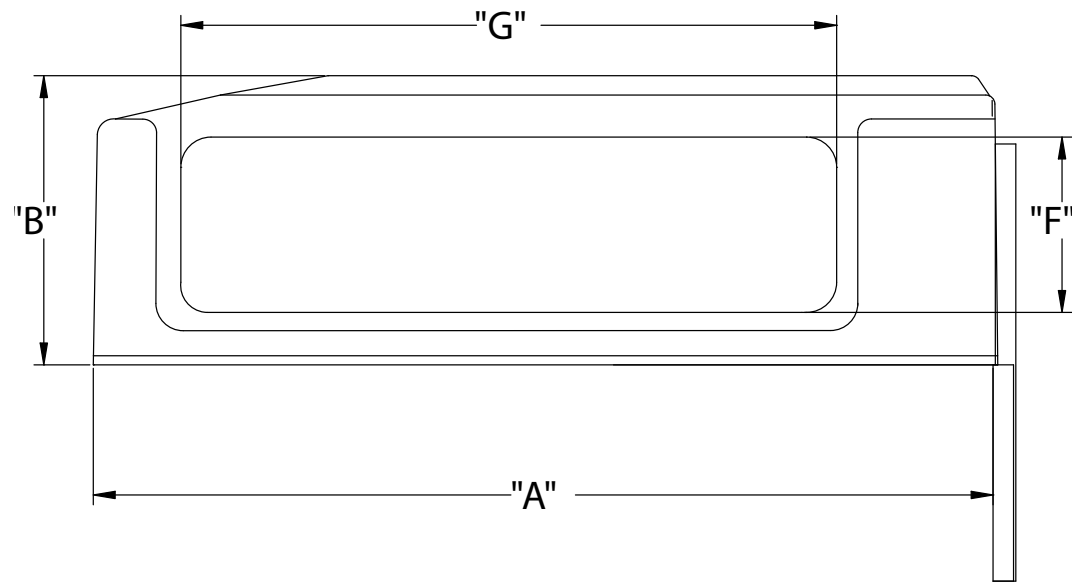
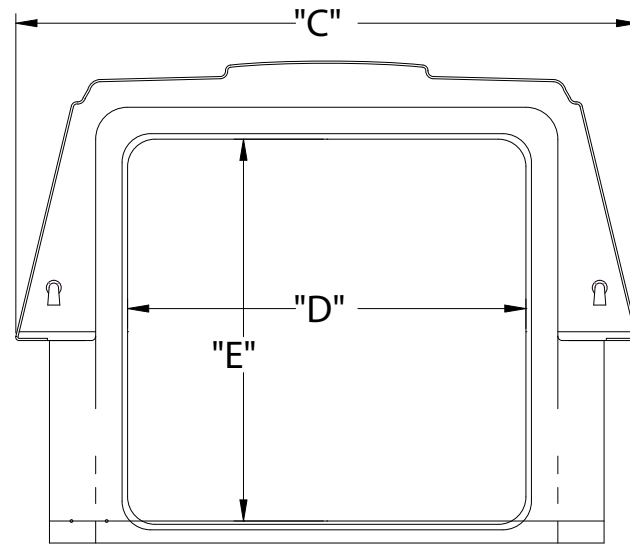


Make of Truck	Bed Length	A	B	C	D	E	F	G
Chev / GMC	8'	99-1/4"	31-3/4"	70-7/8"	44"	42-4/2"	19"	72"
Ford F150	8'	99-1/4"	31-3/4"	70-7/8"	44"	42-4/2"	19"	72"
Ford F250 / F350	8'	99-1/4"	31-3/4"	70-7/8"	44"	42-4/2"	19"	72"
Dodge	8'	99-1/4"	31-3/4"	70-7/8"	44"	42-4/2"	19"	72"
Chev / GMC	6.5'	79-5/8"	31-1/2"	70-7/8"	44"	42-4/2"	19"	54"
Ford F150	6.5'	79-5/8"	31-1/2"	70-7/8"	44"	42-4/2"	19"	54"
Ford F250 / F350	6.5'	79-5/8"	31-1/2"	70-7/8"	44"	42-4/2"	19"	54"
Dodge	6.5'	79-5/8"	31-1/2"	70-7/8"	44"	42-4/2"	19"	54"

FIBERGLASS WORK TOPPERS - CAB HIGH MODELS

BrandFX Toppers are made from advanced, lightweight FX Composite and fit all popular Chevrolet, Dodge, Ford, and GMC pickup models and bed sizes. FX Toppers are designed for easy removal and offer shelving, drawer, cabinet, and lighting options. (See Options Section)

With an FX Topper, you get the strength and durability of a steel topper that weighs considerably less than steel or aluminum. That translates to less fuel consumed — or the ability to haul more tools and equipment. FX Composite construction also provides worry-free, rust-free performance for the life of your vehicle. It won't warp, dent, weaken from fatigue or need painting.

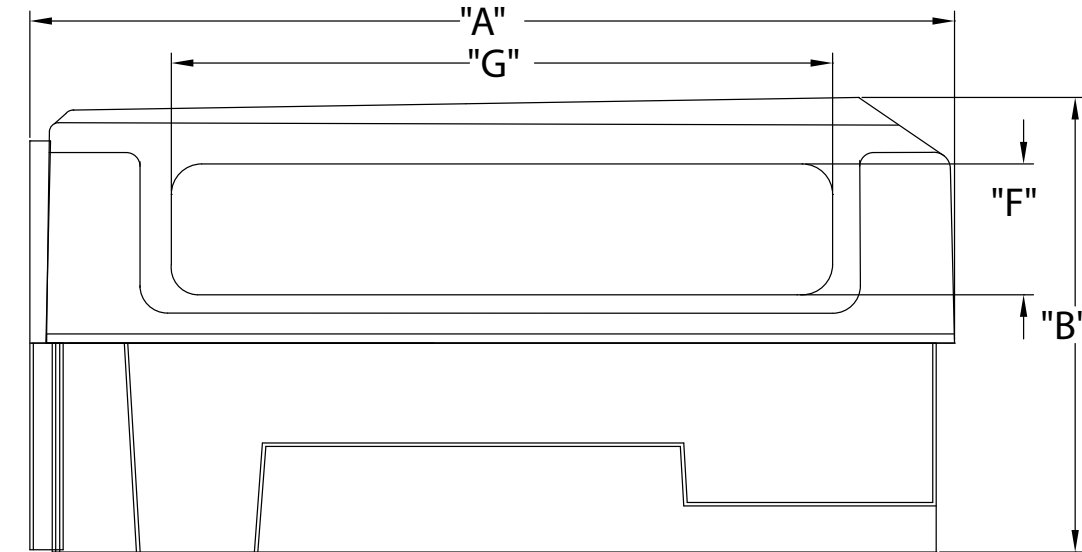
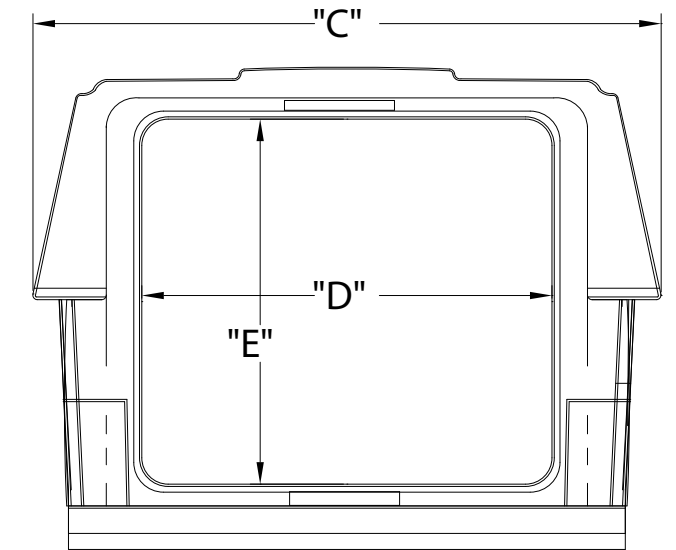


Make of Truck	Bed Length	A	B	C	D	E	F	G
Chev / GMC	8'	100-3/4"	26-3/4"	72"	44"	39"	14"	71-1/2"
Ford F150	8'	100-3/4"	26-3/4"	72"	44"	39"	14"	71-1/2"
Ford F250 / F350	8'	100-3/4"	26-3/4"	72"	44"	39"	14"	71-1/2"
Dodge	8'	100-3/4"	26-3/4"	72"	44"	39"	14"	71-1/2"
Chev / GMC	6.5'	82-1/4"	25-3/4"	71-3/4"	44"	39"	14"	54-1/2"
Ford F150	6.5'	82-1/4"	25-3/4"	71-3/4"	44"	39"	14"	54-1/2"
Ford F250 / F350	6.5'	78-1/2"	26-1/4"	71-1/2"	44"	39"	14"	54-1/2"
Dodge	6.5'	78-1/2"	26-1/4"	71-1/2"	44"	39"	14"	54-1/2"
Chev / GMC	5.7'	73-1/4"	26"	71"	44"	39"	14"	54-1/2"

FIBERGLASS WORK PODS - STANDARD HEIGHT MODELS

Self-contained BrandFX Work Pods come complete with flooring and sidewalls for easy removal and transfer without unloading. They fit all popular Chevrolet, Dodge, Ford, and GMC pickups and bed lengths, and offer advantages vans can't begin to match.

Work Pods can be removed from one truck and installed on another in the field without unloading. Exterior side compartment doors allow tools and cargo to be accessed from outside the vehicle and can be equipped with shelving, drawer, cabinet, and lighting options. (See Options Section)

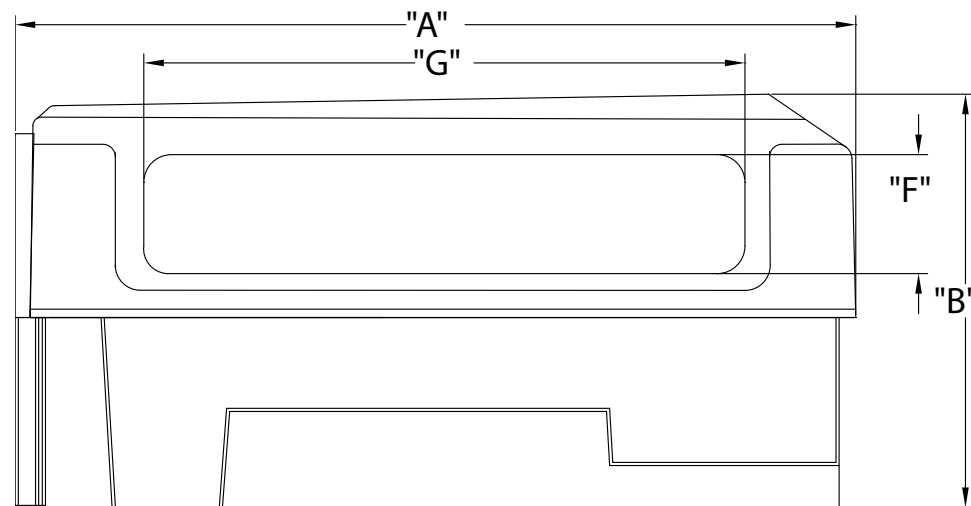
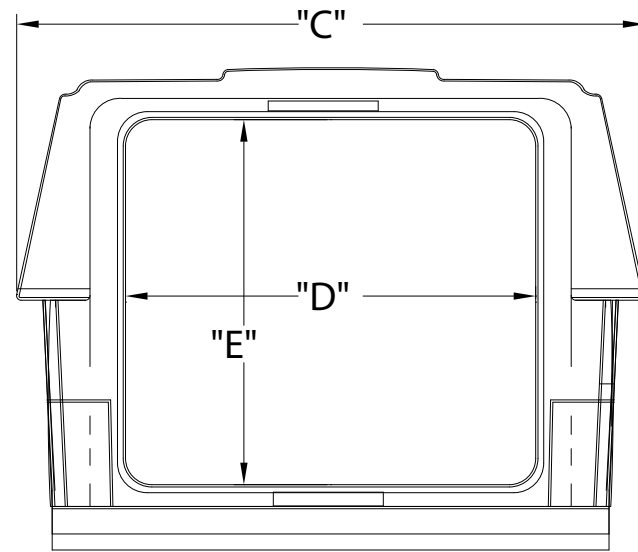


Make of Truck	Bed Length	A	B	C	D	E	F	G
Chev / GMC	8'	100-3/4"	52-3/4"	70-7/8"	44"	42-1/2"	19"	72"
Ford F150	8'	100-3/4"	54-1/2"	70-7/8"	44"	42-1/2"	19"	72"
Ford F250/F350	8'	100-3/4"	52"	70-7/8"	44"	42-1/2"	19"	72"
Dodge	8'	100-3/4"	52"	70-7/8"	44"	42-1/2"	19"	72"
Chev / GMC	6.5'	81"	52-1/2"	70-7/8"	44"	42-1/2"	19"	54"
Ford F150	6.5'	83-1/2"	54-1/2"	70-7/8"	44"	42-1/2"	19"	54"
Ford F250/F350	6.5'	80"	51-3/4"	70-7/8"	44"	42-1/2"	19"	54"
Dodge	6.5'	80"	51-3/4"	70-7/8"	44"	42-1/2"	19"	54"

FIBERGLASS WORK PODS - CAB HIGH MODELS

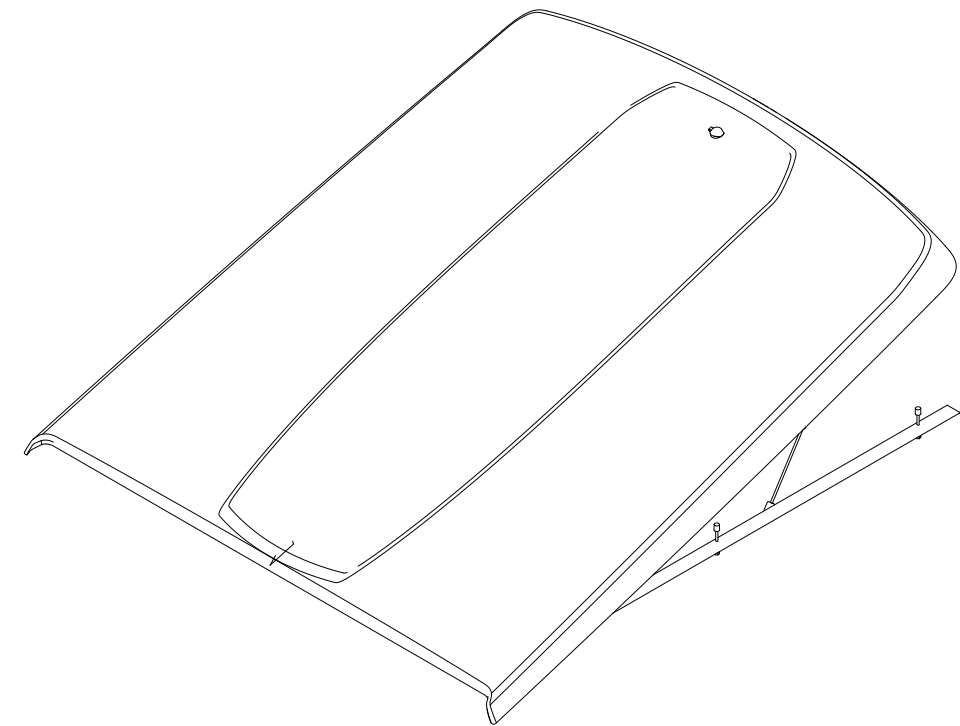
Self-contained BrandFX WorkPods come complete with flooring and sidewalls for easy removal and transfer without unloading. They fit all popular Chevrolet, Dodge, Ford, and GMC pickups and bed lengths, and offer advantages vans can't begin to match.

WorkPods can be removed from one truck and installed on another in the field without unloading. Exterior side compartment doors allow tools and cargo to be accessed from outside the vehicle and can be equipped with shelving, drawer, cabinet, and lighting options. (See Options Section)



Make of Truck	Bed Length	A	B	C	D	E	F	G
Chev / GMC	8'	102"	47-1/2"	72"	44"	39"	14"	71-1/2"
Ford F150	8'	100-3/4"	49-1/2"	72"	44"	39"	14"	71-1/2"
Ford F250 / F350	8'	100-3/4"	46-3/4"	72"	44"	39"	14"	71-1/2"
Dodge	8'	100-3/4"	46-3/4"	72"	44"	39"	14"	71-1/2"
Chev / GMC	6.5'	83-1/2"	47-1/2"	71-3/4"	44"	39"	14"	54-1/2"
Ford F150	6.5'	83-1/2"	49-1/2"	71-3/4"	44"	39"	14"	54-1/2"
Ford F250 / F350	6.5'	80"	46-1/2"	71-1/2"	44"	39"	14"	54-1/2"
Dodge	6.5'	80"	46-1/2"	71-1/2"	44"	39"	14"	54-1/2"
Chev / GMC	5.7'	76-1/2"	47-1/2"	71"	44"	39"	14"	54-1/2"

Standard Tonneau Covers



Truck Information			
Make	Model	Year	Bed
Chev	Silverado	2007+	5.8
Chev	Silverado	2007+	6.5
GMC		2007+	5.8
GMC		2007+	6.5
Dodge	Ram	2009+	5.8
Dodge	Ram	2009+	6.5
Dodge	Dakota	2005+	Sb
Dodge	Dakota	2005+	4dr Sb
Ford	F150	2009+	5.8
Ford	F150	2009+	6.5
Toyota	Tundra	2007+	5.5
Toyota	Tundra	2007+	6.5
Toyota	Tacoma	2005+	4dr Sb
Toyota	Tacoma	2005+	Xc Sb