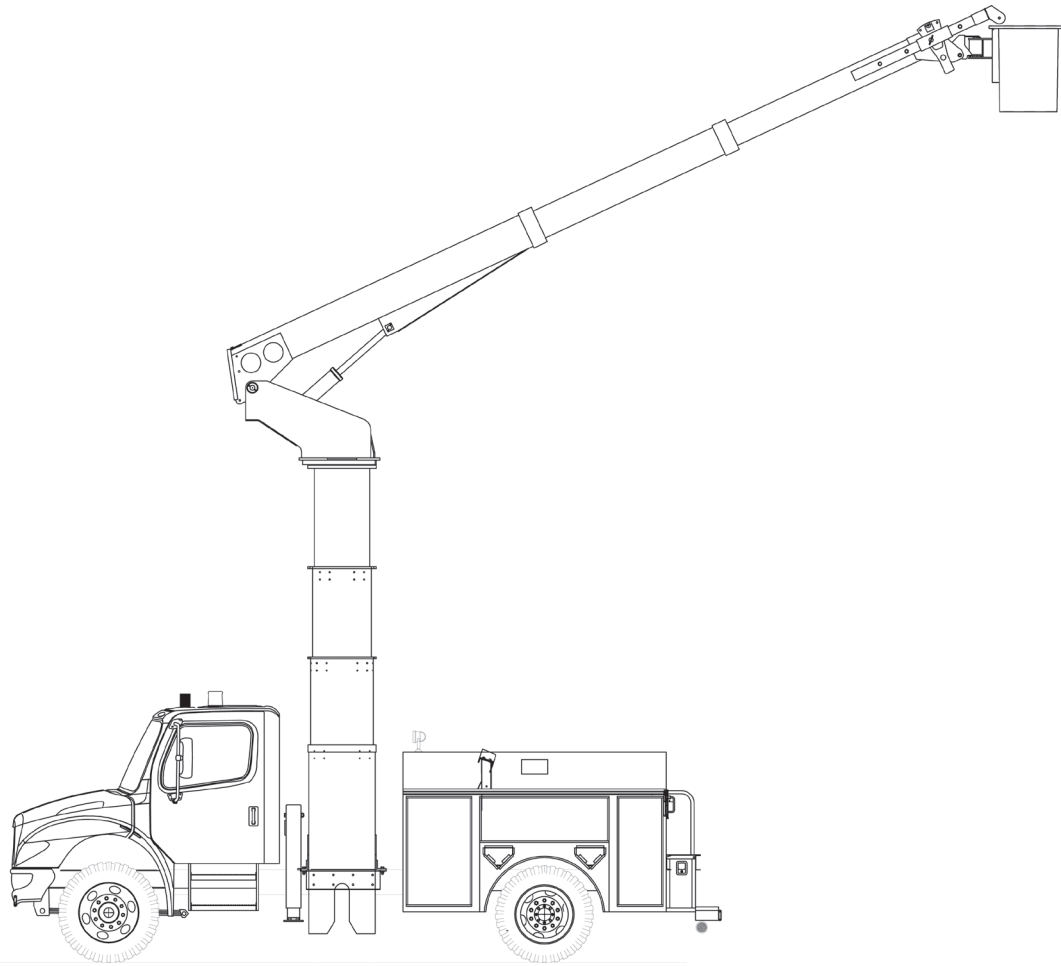


# THE HYDRAULIC PEDESTAL ELEVATOR



Three-section, fully hydraulic pedestal elevator.  
**Unique design that helps elevate your bottom line.**

**AERO-LIFT** By



**We Build Solutions**

**For more information, visit us at**

ABM Equipment & Supply

[www.abmequip.com](http://www.abmequip.com)

952-938-5451

800-229-5451

NOTE -All aerial units designed in accordance with ANSI A92.2 specifications

-Specifications are subject to change without notice

-All photographs and illustrations represented in this literature are for informational purposes only

# HE HYDRAULIC PEDESTAL ELEVATOR

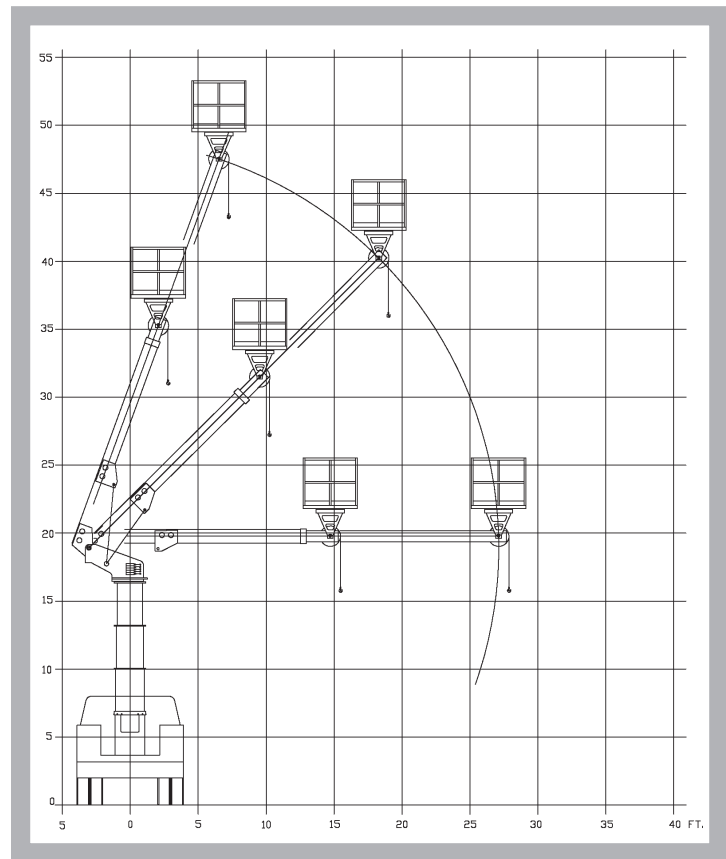
## General Specifications:

Hydraulic elevator to lift any one of the Aero-Lift by SMF two or three boom telescopic aerial platforms up to 55' working heights.

This elevator gives an additional 10' of vertical working height.

Pedestal elevator is raised by a double-acting cylinder. These cylinders have integral holding valves to prevent free fall in the event of hose failure.

Stabilization – torsion bar as well as various outrigger configurations are available, depending upon capacity and size of unit.



**AERO-LIFT** By



**We Build Solutions**

For more information, visit us at

[www.abmequip.com](http://www.abmequip.com)  
800-229-5451

NOTE -All aerial units designed in accordance with ANSI A92.2 specifications  
-Specifications are subject to change without notice  
-All photographs and illustrations represented in this literature are for informational purposes only