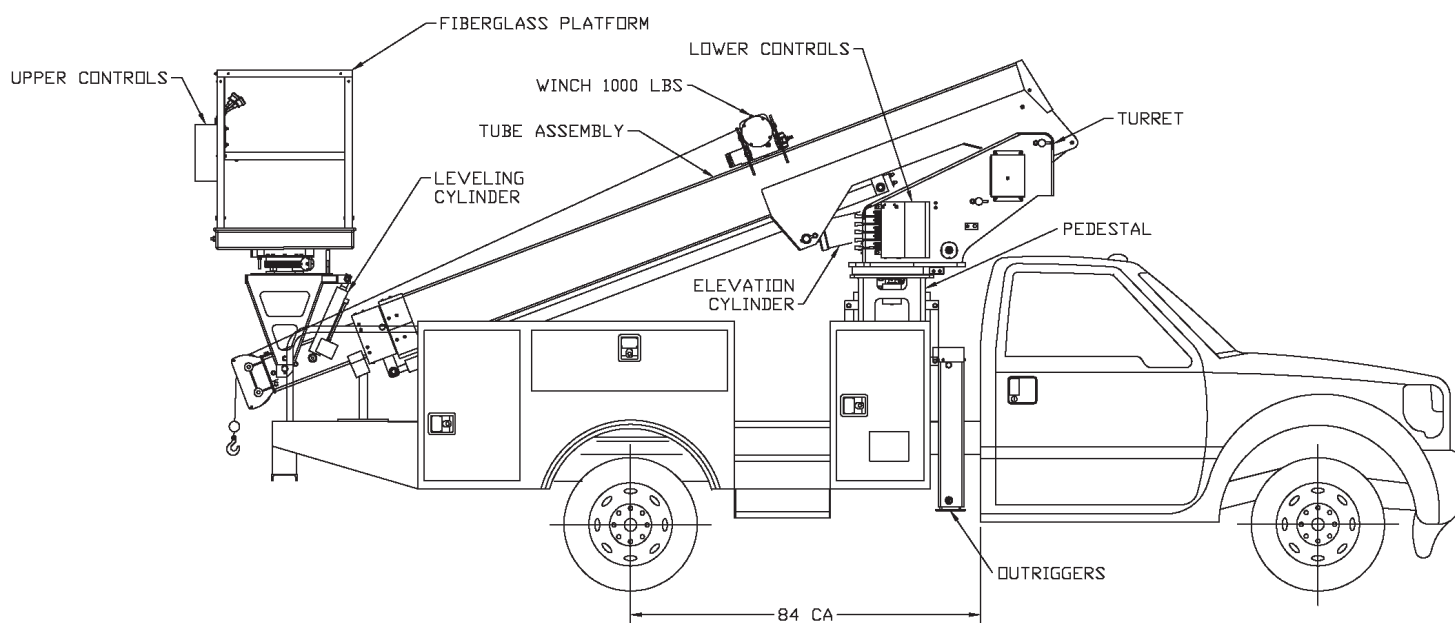


3TPE WORK PLATFORM



A three-section, fully hydraulic boom extension, insulated or non-insulated.

- Less Maintenance
- Greater Safety

Simple design that helps elevate your bottom line.

AERO-LIFT By



We Build Solutions

ABM Equipment & Supply

www.abmequip.com

952-938-5451

800-229-5451

3TPE WORK PLATFORM

General Specifications:

Working Heights: 45' to 55'

Height to Bottom of Platform: 40' & 50'

Platform Capacity: 750 lbs

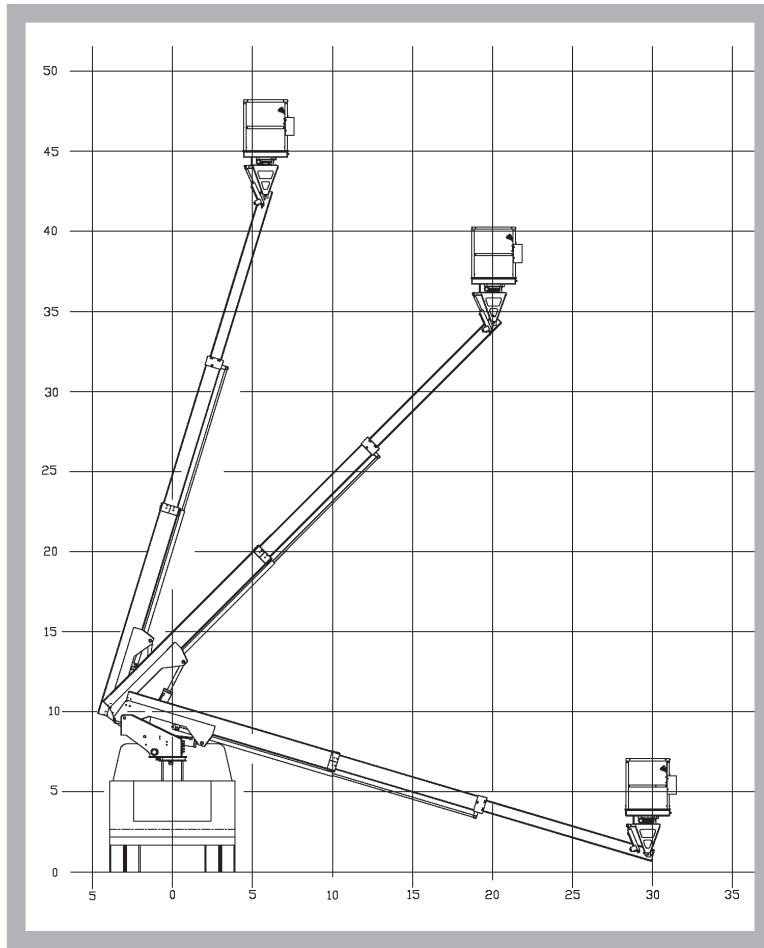
Standard Platform Size: 32" x 48"

Standard Equipment

Boom Capacity: 1,000 lbs.
 Boom Elevation: - 20° to +75°
 Continuous Rotation
 Shear Ball Bearing Turn Table
 Hydraulic Self-Leveling
 Fully-Metering Controls
 Platform Rotation 180°

Optional Equipment

Insulated to Category C
 Hydraulic Tools at Platform
 Engine Start/Stop
 Emergency Pump
 Boom-Mounted Winch
 Various Outrigger Configurations
 110 Volt Outlet at Platform (non-insulated only)
 Platform Continuous Rotation 360°
 10' Elevator



Bottom Platform	Working Height	Side Reach
40'	45'	35'
50'	55'	45'

Minimum Chassis		
	40'	50'
Front Axle	10,000 lbs.	12,000 lbs.
GVWR	19,500 lbs.	25,900 lbs.

AERO-LIFT By



We Build Solutions

For more information, visit us at

www.abmequip.com

800-229-5451

NOTE -All aerial units designed in accordance with ANSI A92.2 specifications

-Specifications are subject to change without notice

-All photographs and illustrations represented in this literature are for informational purposes only