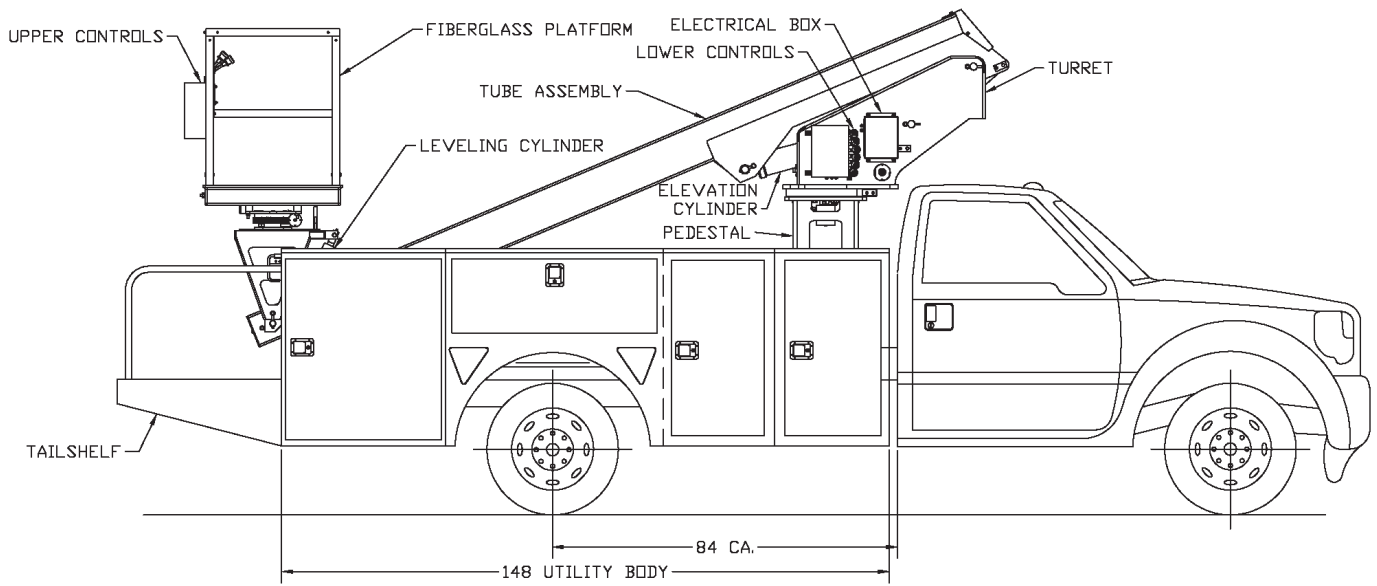


2TPE WORK PLATFORM



Two-section, fully hydraulic boom extension, insulated or non-insulated.

Simple design that helps elevate your bottom line.

AERO-LIFT By



ABM Equipment & Supply

www.abmequip.com

952-938-5451

We Build Solutions

2TPE WORK PLATFORM

General Specifications:

Working Heights: 40'

Height to Bottom: 35'

Platform Capacity: 500 lbs.

Standard Platform Size: 32" x 48"

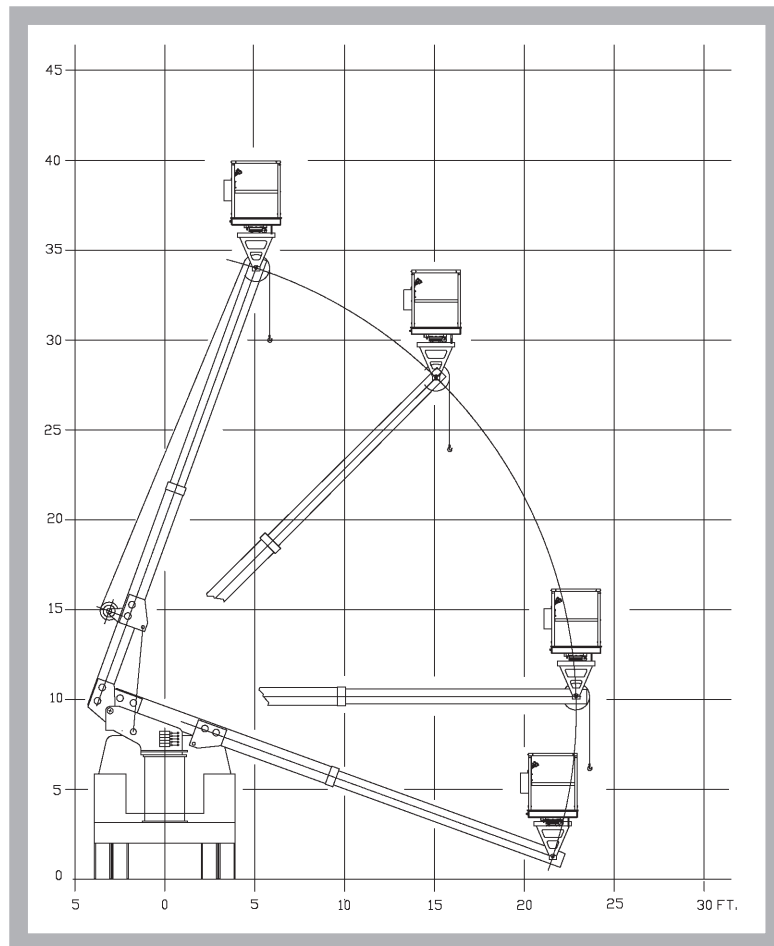
Standard Non-Insulated

Standard Equipment

Boom Capacity: 1,000 lbs.
 Boom Elevation: -20° to +75°
 Continuous Rotation
 Shear Ball-Bearing Turntable
 Hydraulic Self-Leveling
 Fully-Metering Controls
 Platform Rotation 180°
 Non-Insulated

Optional Equipment

Insulated to Category C
 Hydraulic Tools at Platform
 Engine Start/Stop
 Emergency Pump
 Boom-Mounted Winch
 Various Outrigger Configurations
 Platform Continuous Rotation 360°
 110 Volt Outlet at Platform (Non-insulated Only)



Bottom Platform	Working Height	Side Reach
35'	40'	28'

Minimum Chassis	
Front Axle	7,000 lbs.
GVWR	29,500 lbs.
RBM	1.2 million

AERO-LIFT By



We Build Solutions

For more information, visit us at

www.abmequip.com

952-938-5451

800-229-5451

NOTE -All aerial units designed in accordance with ANSI A92.2 specifications

-Specifications are subject to change without notice

-All photographs and illustrations represented in this literature are for informational purposes only